



Product area

Standard housing

High housing

Basic unit

Order number	Designation	Moving plate	Standard housing
100637	MMIWG-A	294 x 310	E01-00124

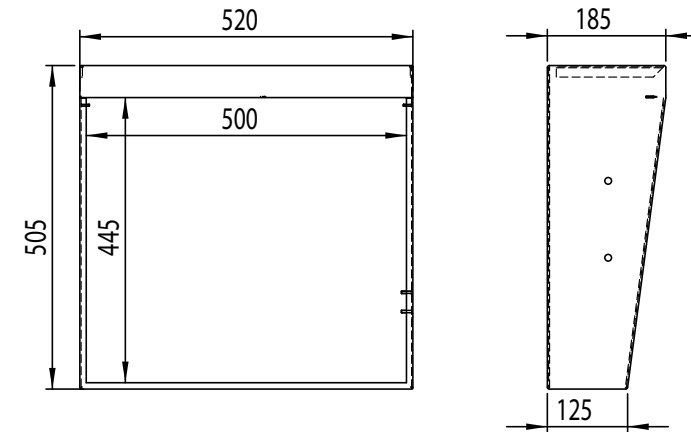
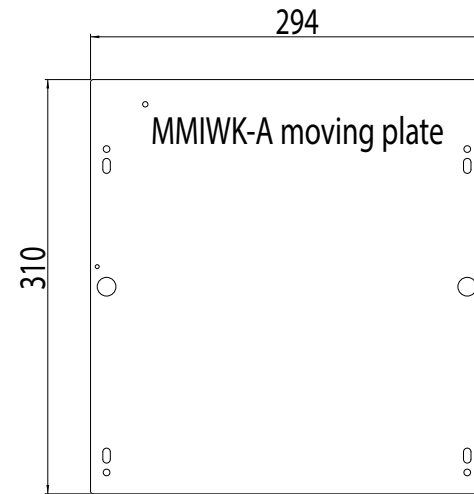
Exchangeable cassette

Standard - 1200 N (max. 600 Probe á 2N)

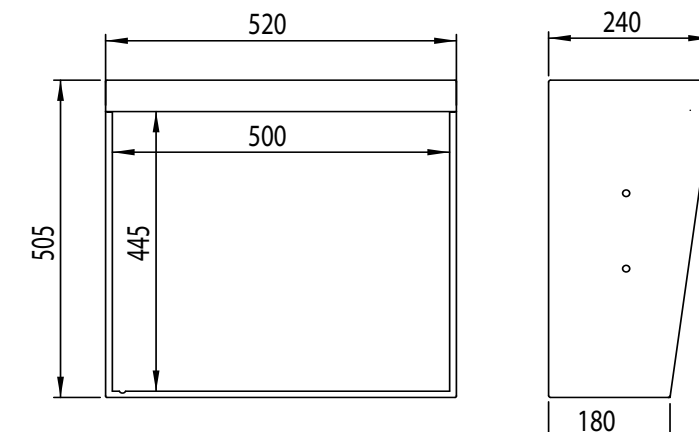
Order number	Designation	Moving plate	Interface block
100638	MMIWK-A	294 x 310	6 blocks

Amplified - 1600 N (max. 800 Probe á 2N)

Order number	Designation	Moving plate	Interface block
100643	MMIWK-AV	294 x 310	6 blocks



E01-00124



E01-00123

Basic unit

Order number	Designation	Moving plate	Standard housing
100636	MMIWG-B	424 x 310	E01-00125

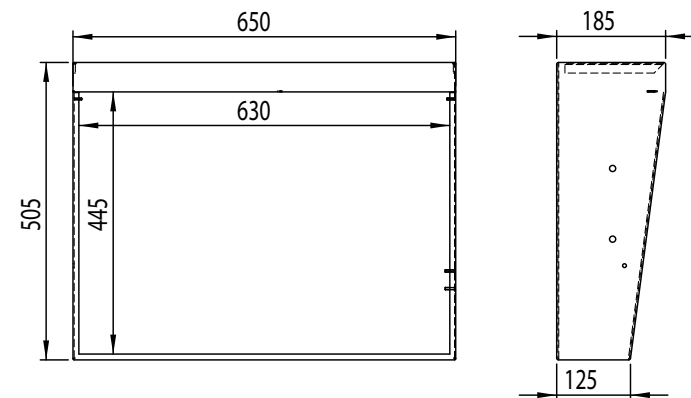
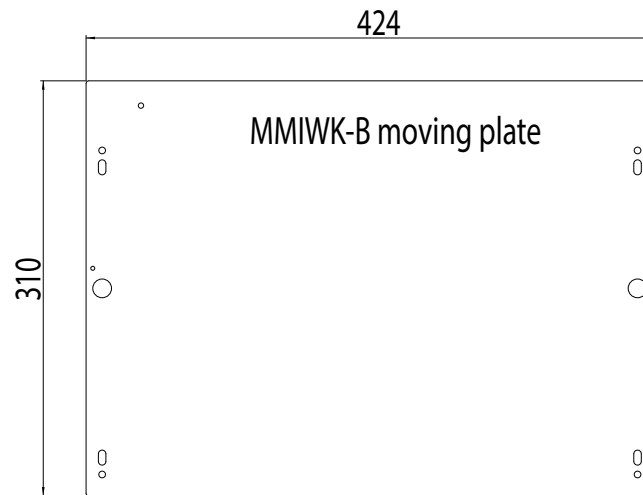
Exchangeable cassette

Standard - 1200 N (max. 600 Probe á 2N)

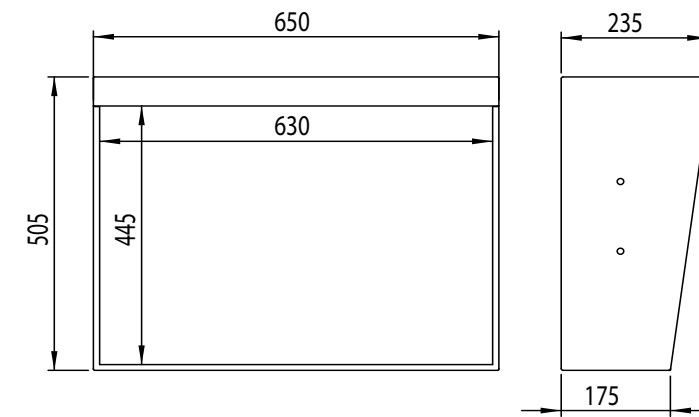
Order number	Designation	Moving plate	Interface block
100998	MMIWK-B	424 x 310	10 blocks

Amplified - 1600 N (max. 800 Probe á 2N)

Order number	Designation	Moving plate	Interface block
100999	MMIWK-BV	424 x 310	10 blocks



E01-00125



E01-00133



Product area

Standard housing

High housing

Basic unit

Order number	Designation	Moving plate	Standard housing
100663	MMIWG-C	554 x 310	E01-00132

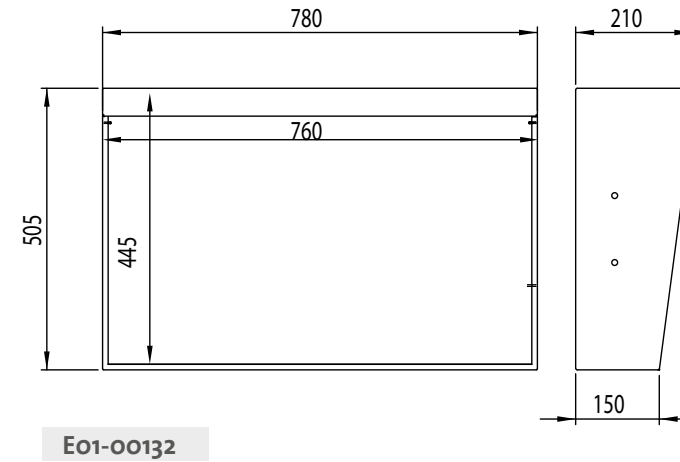
Exchangeable cassette

Standard - 1200 N (max. 600 Probe á 2N)

Order number	Designation	Moving plate	Interface block
100661	MMIWK-C	554 x 310	12 blocks

Amplified - 1600 N (max. 800 Probe á 2N)

Order number	Designation	Moving plate	Interface block
100662	MMIWK-CV	554 x 310	12 blocks





Product area

Standard housing

High housing

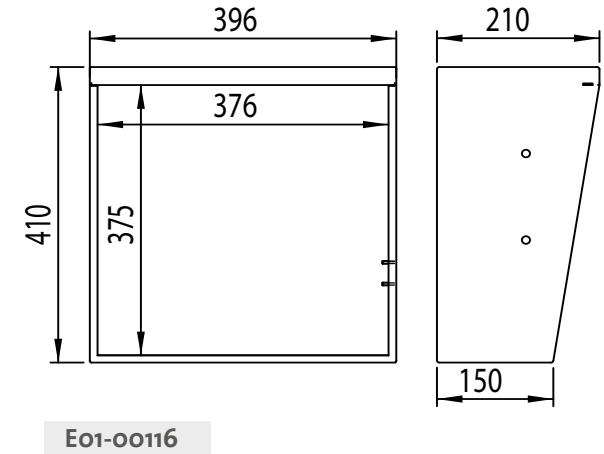
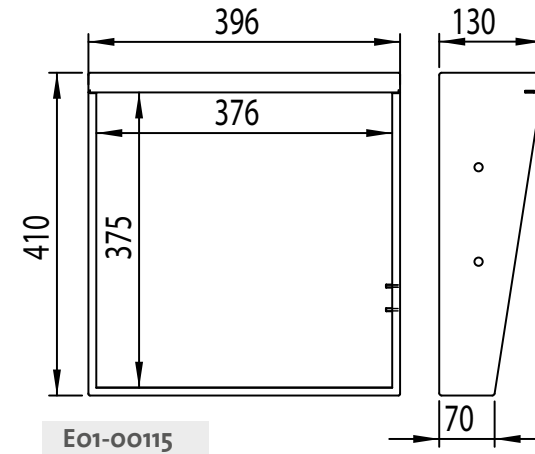
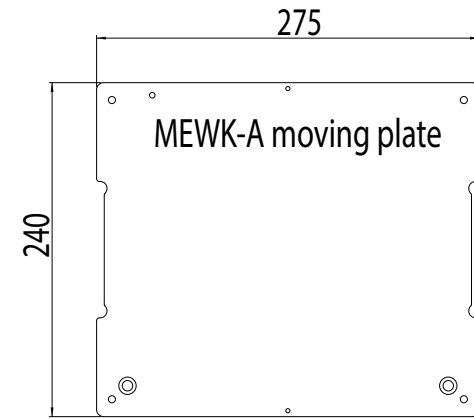
Basic unit

Order number	Designation	Moving plate	Standard housing
100646	MMI-MEWG-A	275 x 240	E01-00115

Exchangeable cassette

Standard - 1200 N (max. 600 Probe à 2N)

Order number	Designation	Moving plate
100767	MEWK-A	275 x 240



Basic unit

Order number	Designation	Moving plate	Standard housing
100647	MMI-MEWG-B	445 x 240	E01-00117

Exchangeable cassette

Standard - 1200 N (max. 600 Probe à 2N)

Order number	Designation	Moving plate
100768	MEWK-B	445 x 240

