

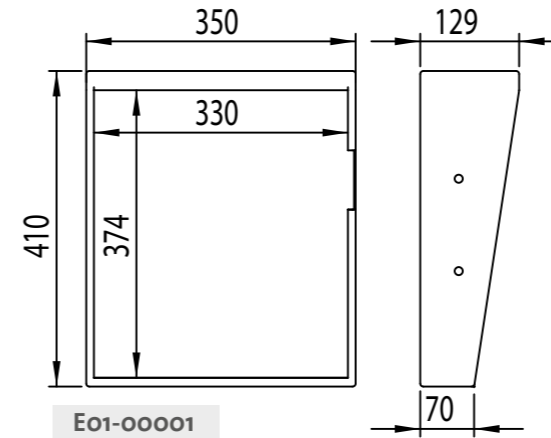
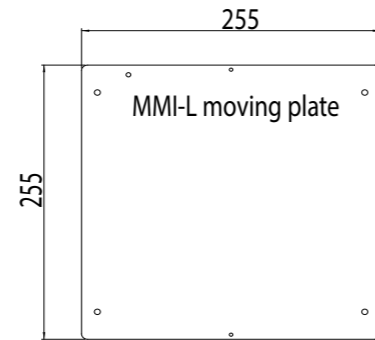


Product area

Standard housing

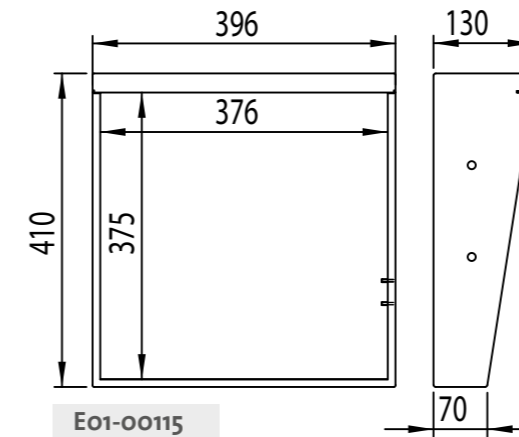
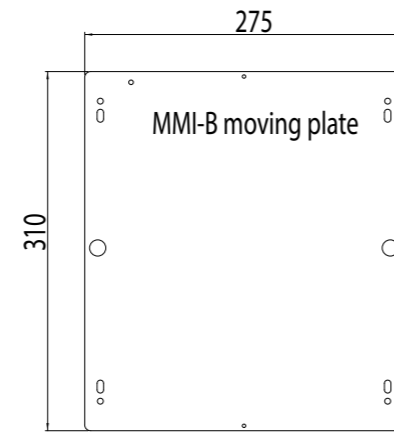
High housing

Order number	Designation	Moving plate	Standard housing
100660	MMI-L light	255 x 255	E01-00001



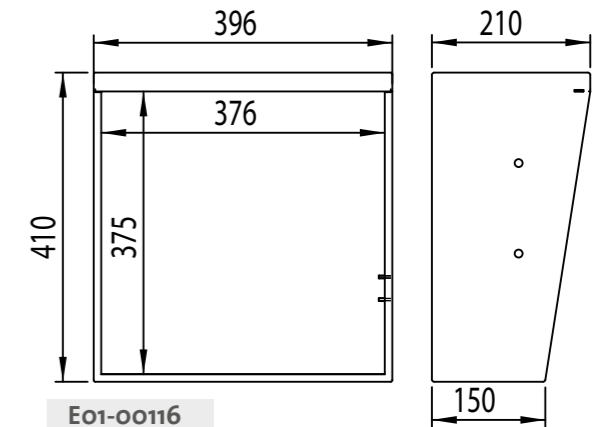
Standard - 1200 N (max. 600 Probe á 2N)

Order number	Designation	Moving plate	Standard housing
100639	MMI-B	275 x 310	E01-00115



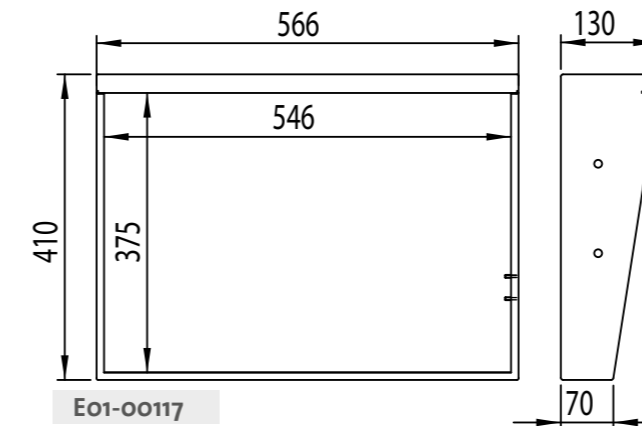
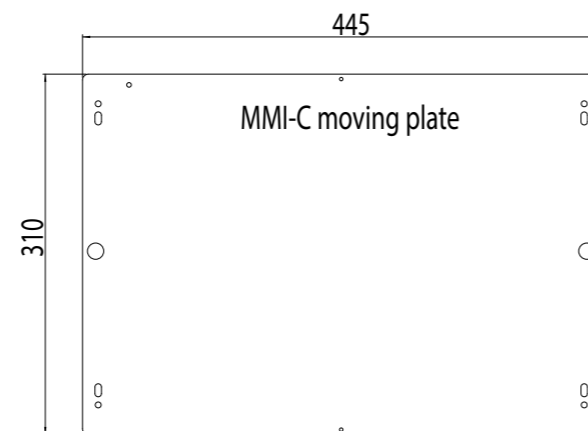
Amplified - 1600 N (max. 800 Probe á 2N)

Order number	Designation	Moving plate	Standard housing
100642	MMI-BV	275 x 310	E01-00115



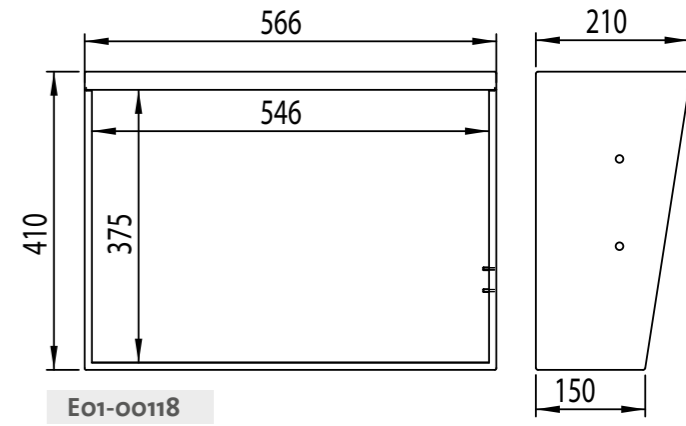
Standard - 1200 N (max. 600 Probe á 2N)

Order number	Designation	Moving plate	Standard housing
100640	MMI-C	445 x 310	E01-00117



Amplified - 1600 N (max. 800 Probe á 2N)

Order number	Designation	Moving plate	Standard housing
100641	MMI-CV	445 x 310	E01-00117





Product area

Standard housing

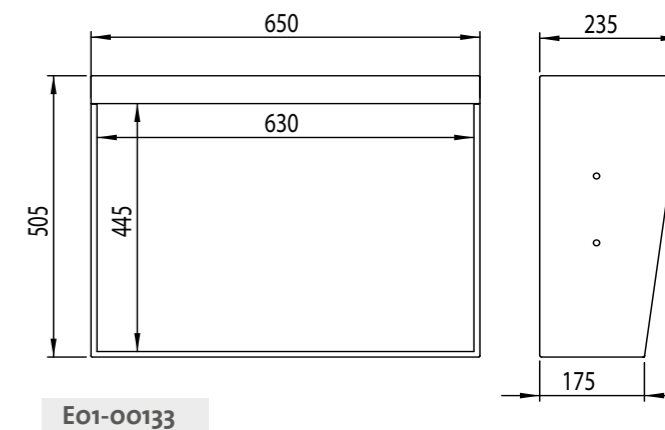
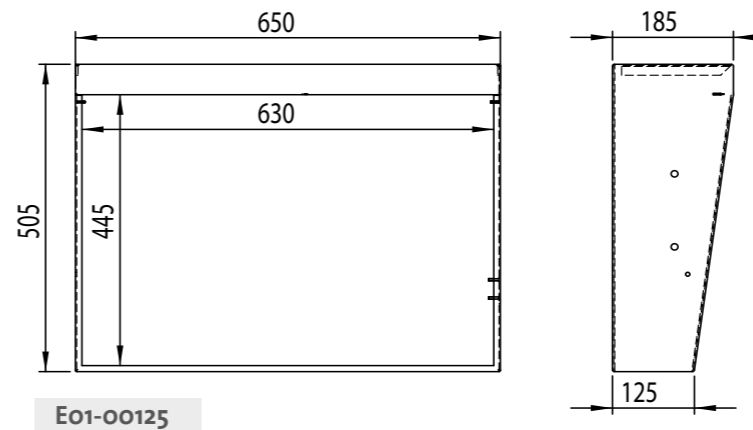
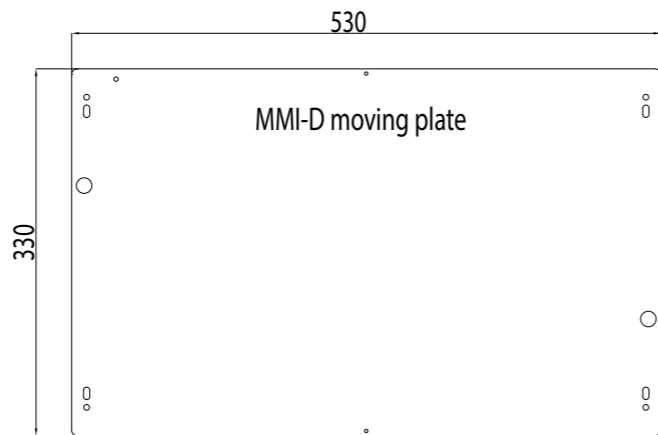
High housing

Standard - 1200 N (max. 600 Probe á 2N)

Order number	Designation	Moving plate	Standard housing
100668	MMI-D	530 x 330	E01-00125

Amplified - 1600 N (max. 800 Probe á 2N)

Order number	Designation	Moving plate	Standard housing
100669	MMI-DV	530 x 330	E01-00125



Order number	Designation	Moving plate	Standard housing
100659	MMI-A-DO	185 x 310	E01-00117

