

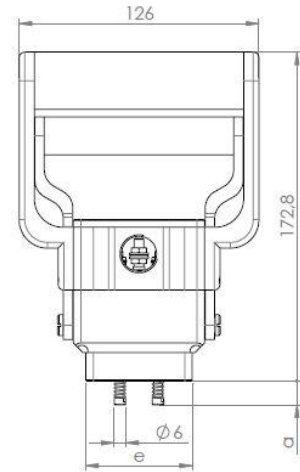
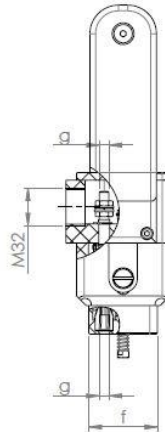
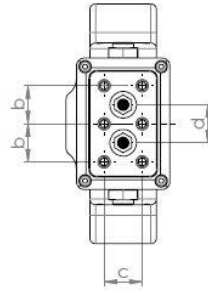
Motor terminal board test connector

easy Handling = save cycle time = **save COST!**



The test connector motor terminal board is characterized by the following features:

- Connectors can be manufactured for numerous terminal board dimensions
- The housing is made of robust plastic, so the weight is easy to handle
- Low-wear test plug for everyday industrial use
- Low-wear, silver-plated contact collets
- Simple, one-handed operation
- **Cycle time savine = cost saving!**
- Balancer mounting possible
- Manual and automated use
- Cable outputs according to customer requirements
- Completely assembled available with connectors to test systems
- CE conformity



Typ / Type	Bestell-Nr. / Order n.	Motorstrom / motor current	Länge der Erdungsspitze (mm) / Length of earth pin (mm)	Federweg Erdungsspitze (mm) / Spring deflection of leading earth pin	Abmessung (mm) / Dimensions (mm)					
					a	b	c	d	e	f
IM-PST-MKB-M3-6-1 5-1 5-1 5	60.090	20A	12,5	7	15	15	15			M3
IM-PST-MKB-M4-6-1 5-1 5-1 5	60.091	20A			15	15	15			M4
IM-PST-MKB-M4-6-1 8-1 8-1 8	60.092	20A			18	18	18			M4
IM-PST-MKB-M5-6-20-20-20	60.087	30A			20	20	20	56	36	M5
IM-PST-MKB-M5-6-23-23-23	60.093	30A			23	23	23	56	36	M5
IM-PST-MKB-M6-6-25-25-25	60.094	40A			25	25	25			M6
IM-PST-MKB-M6-6-28-28-28	60.095	40A			28	28	28			M6
IM-PST-MKB-M6-6-30-30-30	60.096	40A			30	30	30			M6
IM-PST-MKB-M8-6-35-35-35	60.097	55A			35	35	35			M8
IM-PST-MKB-M8-6-44-44-44	60.098	55A			44	44	44			M8
IM-PST-MKB-M10-6-35-35-35	60.099	70A			35	35	35			M10

Technische Daten

Technical data

Bemessungsspannung	Rated voltage	1000V
Überspannungskat. / Verschmutzungsgrad	Overvoltage category / Pollution degree	CATII/2
Isolationsmaterial	Insulation material	POM